

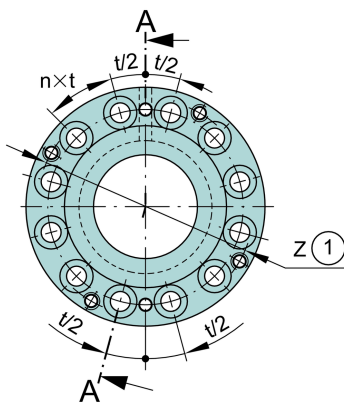
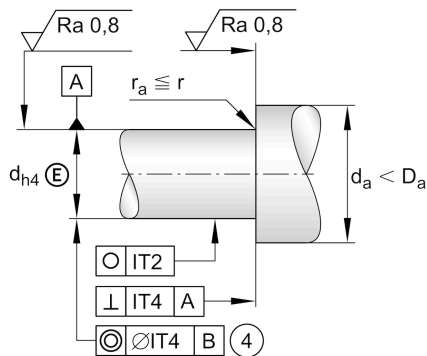
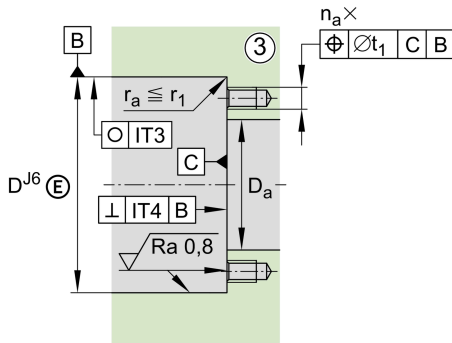
ZARF1762-TV

Needle roller/axial cylindrical roller bearing

Schaeffler ID:
0010040500000

Needle roller/axial cylindrical roller bearings ZARF, double direction, for screw mounting

Technical information

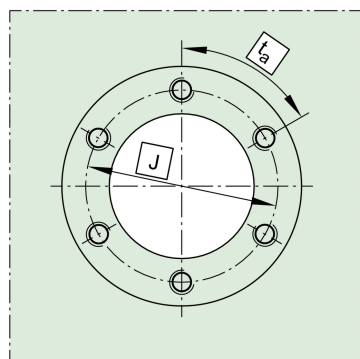
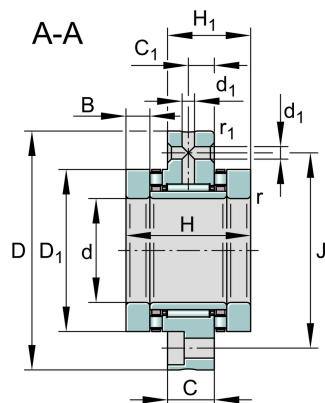


Main Dimensions & Performance Data

d	17 mm	Bore diameter
D	62 mm	Outside diameter
H	43 mm	Height
C _r	14,000 N	Basic dynamic load rating, radial
C _{0r}	19,900 N	Basic static load rating, radial
C _a	26,000 N	Basic dynamic load rating, axial
C _{0a}	57,000 N	Basic static load rating, axial
C _{ur}	3,000 N	Fatigue load limit, radial
C _{ua}	8,000 N	Fatigue load limit, axial
n _{G Grease}	2,100 1/min	Limiting speed for grease lubrication
n _{G Oil}	7,800 1/min	Limiting speed for oil lubrication
M _{RL}	0.4 Nm	Bearing friction torque
	0.406 kg	Weight

Dimensions

H ₁	27.5 mm	Height outer ring over wave washer
c _{aL}	1,600 N/μm	Rigidity axial
c _{kL}	160 Nm/mrad	Tilting stiffness
C	14 mm	Width, outer ring
	1 μm	Axial runout
C ₁	8 mm	Distance to lubrication hole
D ₁	38 mm	Rip diameter shaft washer
M _A	12 Nm	Tightening torque nut
	7,078 N	Preload force axial
B	9 mm	Width, inner ring
r _{min}	0.3 mm	Minimum chamfer dimension
r _{1 min}	0.6 mm	Minimum chamfer dimension
d ₁	3.2 mm	Diameter lubrication hole
J	48 mm	Pitch circle diameter (holes)
n x t	60 °	Split
t ₁	0.1 mm	Position bore in the housing



Mounting dimensions

$D_{a \max}$	39 mm	Maximum diameter of housing shoulder
$d_{a \min}$	28 mm	Minimum diameter shaft shoulder
	ZM17	Locknut 1
	AM17	Locknut 2
n	6	Number (screwing holes)
	M6	Screw size
M_M	0.373 kg * cm ²	Mass moment of inertia
n	6	Number of screws
na x ta	60 °	Division (screwing holes)